

RoHS Compliant Product
A suffix of "-C" specifies halogen & lead-free

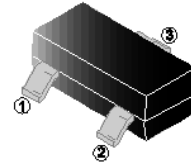
FEATURES

- Low Forward Voltage
- Surface Mount device

MECHANICAL DATA

- Case: SOT-323
- Epoxy meets UL-94 V-0 flammability rating
- Mounting Position: Any

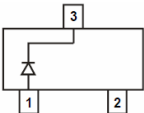
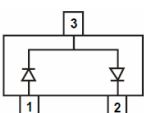
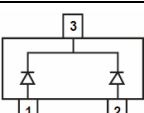
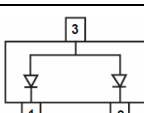
SOT-323



PACKAGE INFORMATION

Package	MPQ	Leader Size
SOT-323	3K	7 inch

ORDER INFORMATION

Part Number	Equivalent Circuit	Marking
BAS40W-C		43
BAS40-04W-C		44
BAS40-05W-C		45
BAS40-06W-C		46

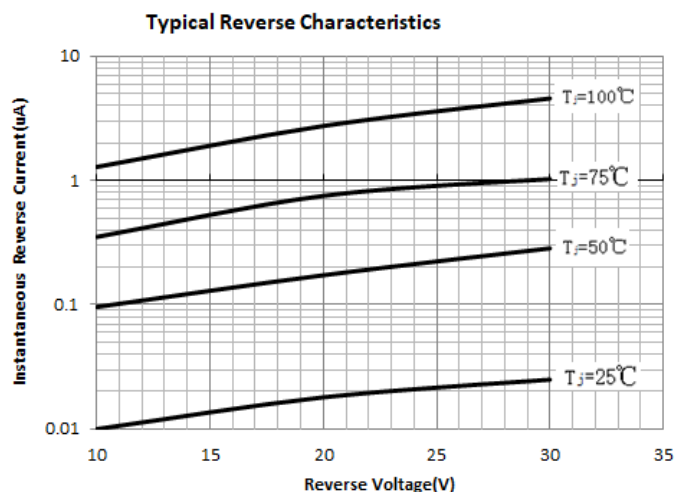
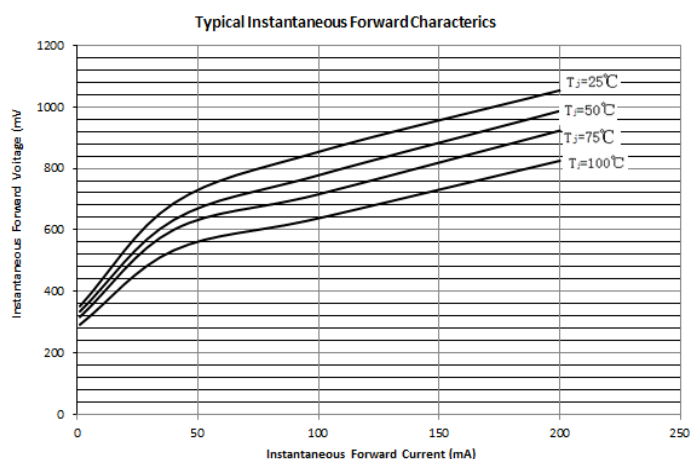
ABSOLUTE MAXIMUM RATINGS (T_A=25°C unless otherwise specified)

Parameter	Symbol	Ratings	Unit
DC Reverse Voltage	V _R	40	V
Forward Continuous Current	I _F	200	mA
Non-Repetitive Peak Forward Surge Current @t=1s	I _{FSM}	600	mA
Power Dissipation	P _D	200	mW
Thermal Resistance from Junction-Ambient	R _{θJA}	500	°C/W
Junction & Storage Temperature	T _J , T _{STG}	125, -55~150	°C

ELECTRICAL CHARACTERISTICS ($T_A=25^\circ\text{C}$ unless otherwise noted)

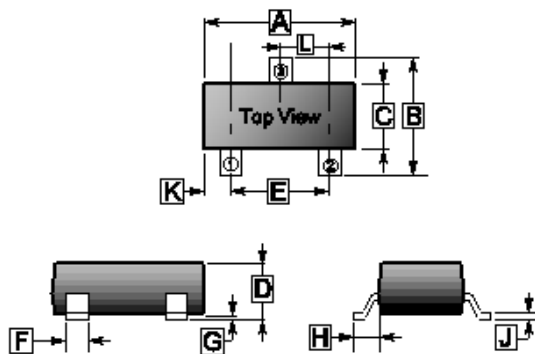
Parameter	Symbol	Min.	Typ.	Max.	Unit	Test Conditions
Forward Voltage	V_F	-	-	0.38	V	$I_F=1\text{mA}$
		-	-	1		$I_F=40\text{mA}$
Reverse Breakdown Voltage	$V_{(BR)}$	40	-	-		$I_R=10\mu\text{A}$
Reverse Current	I_R	-	-	200	nA	$V_R=30\text{V}$
Junction Capacitance	C_J	-	5	-	pF	$V_R=0\text{V}$, $f=1\text{MHz}$
Reverse Recovery Time	T_{rr}	-	5	-	nS	$I_{rr}=0.5\text{mA}$, $I_R=I_F=5\text{mA}$, $R_L=100\Omega$

RATINGS AND CHARACTERISTIC CURVES



PACKAGE OUTLINE DIMENSIONS

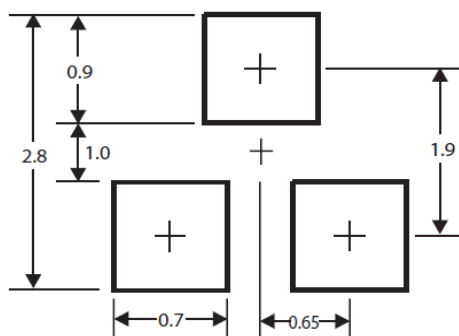
SOT-323



REF.	Millimeter	
	Min.	Max.
A	1.80	2.20
B	1.80	2.55
C	1.10	1.40
D	0.80	1.15
E	1.20	2.00
F	0.15	0.50
G	0.10 REF.	
H	0.525 REF.	
J	0.05	0.25
K	0.35 REF.	
L	0.65 TYP.	

MOUNTING PAD LAYOUT

SOT-323



*Dimensions in millimeters